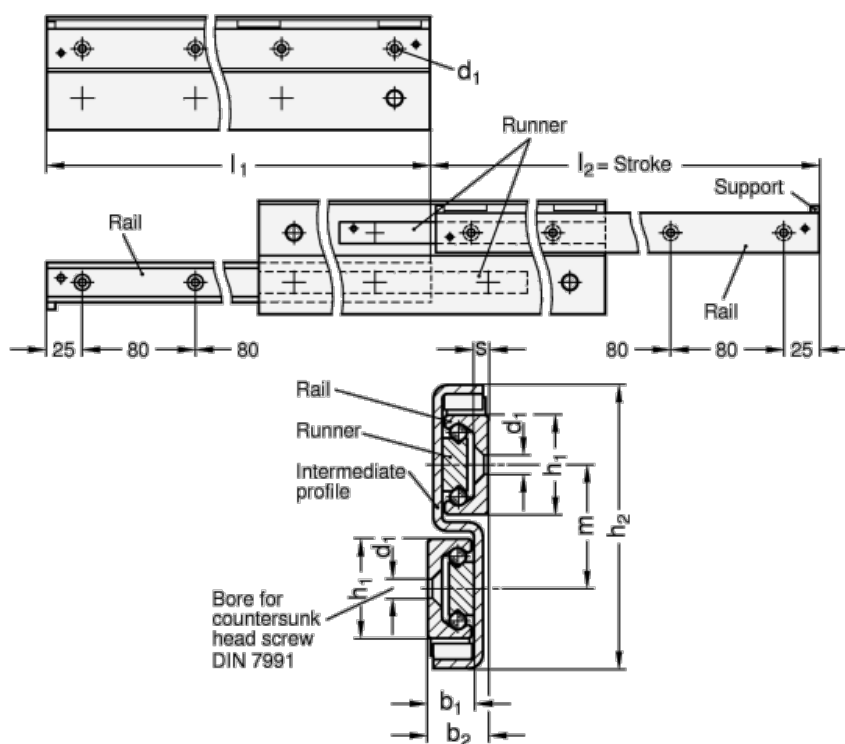


Article number: 202406431490E

Description: E+G Telescope-Liear motion bearings GN 2406-43-1490-E

## Measures



$b_1 = 21$

$b_2 = 28$

$d_1 = 8.5$

$h_1 = 43$

$h_2 = 117$

$L_1 = 1490 - 1516$

$m = 52$

$s = 4.5$

Weight in (g) = 21750